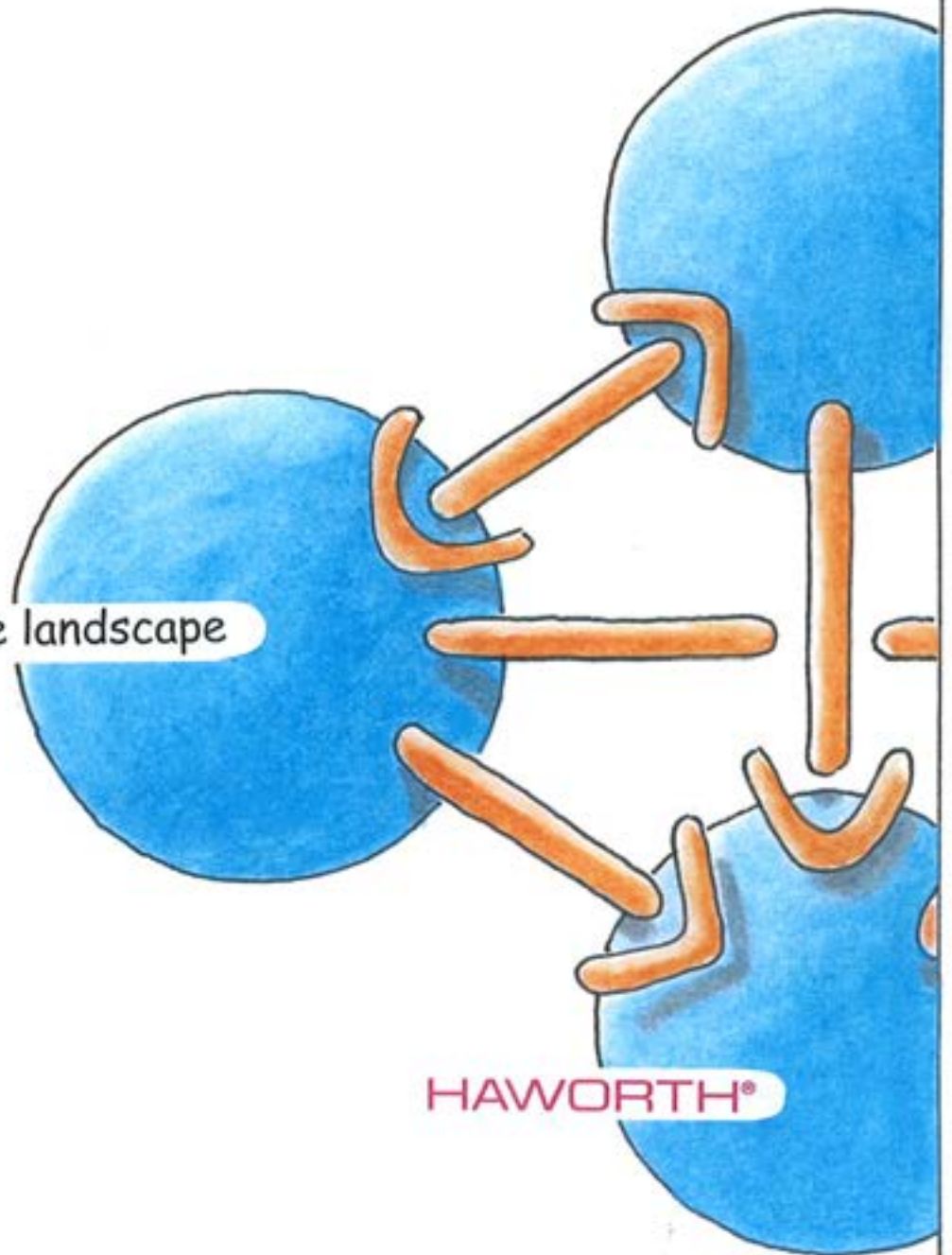


● Change in technology — change in office landscape



HAWORTH®

● Technology is ...

- smaller
- mobile
- quicker

● Ways of working are ...

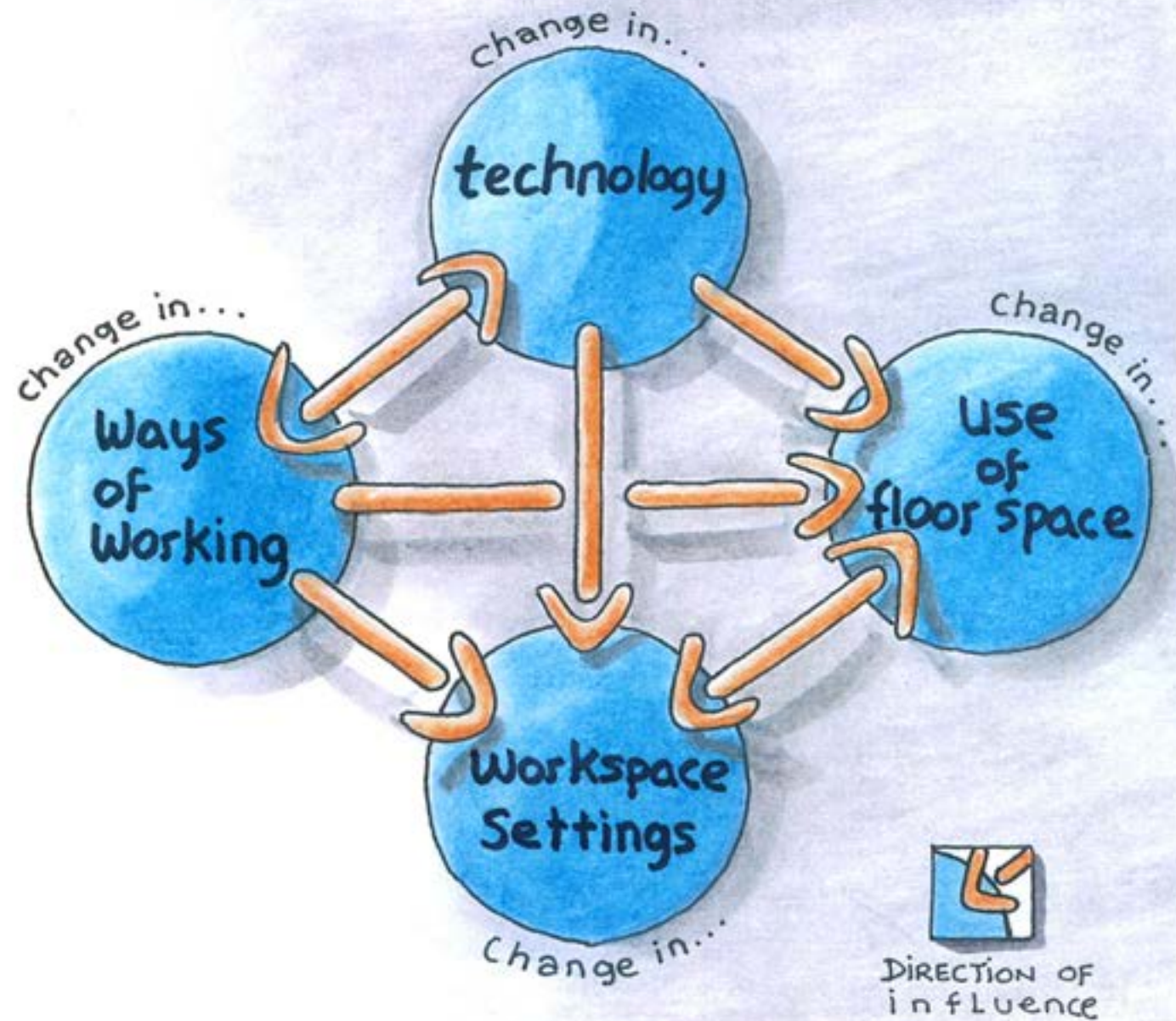
- varied
- flexible
- collaborative

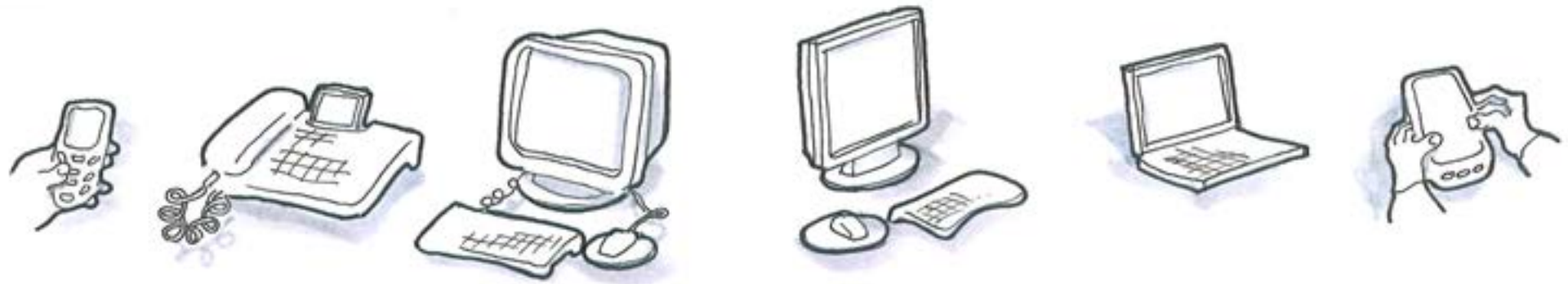
● Workspace settings are ...

- team orientated
- task specific
- shared
- flexible

● Use of floor space is ...

- less regimented
- more efficient
- more effective

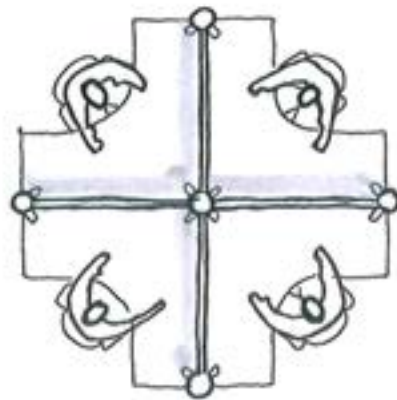




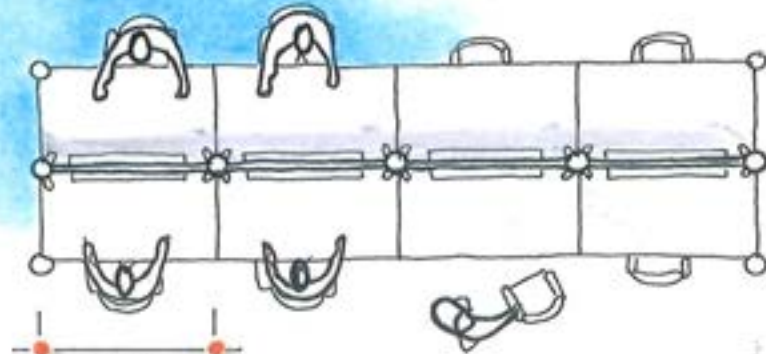
Change in technology — change in workspace



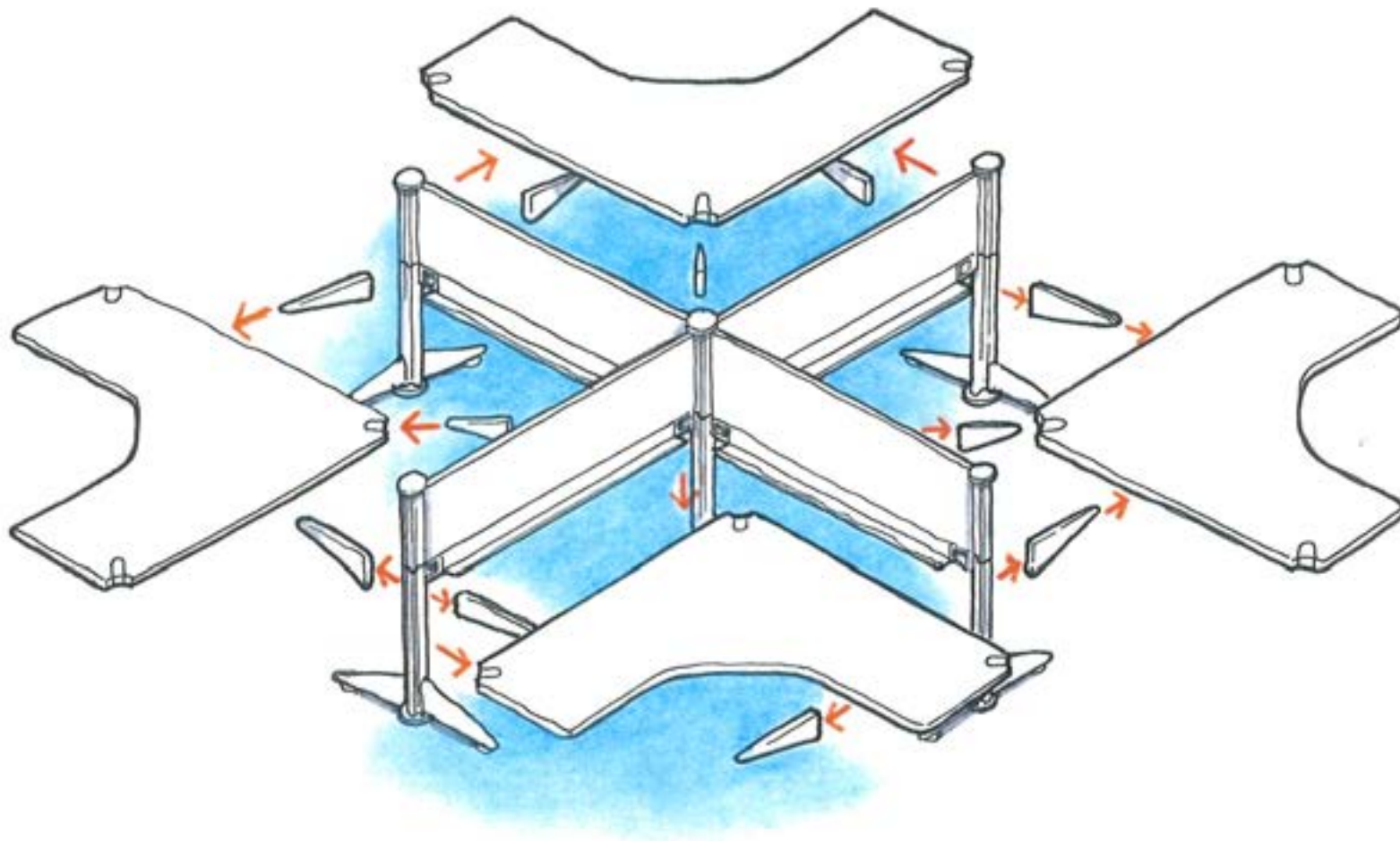
1600



1600

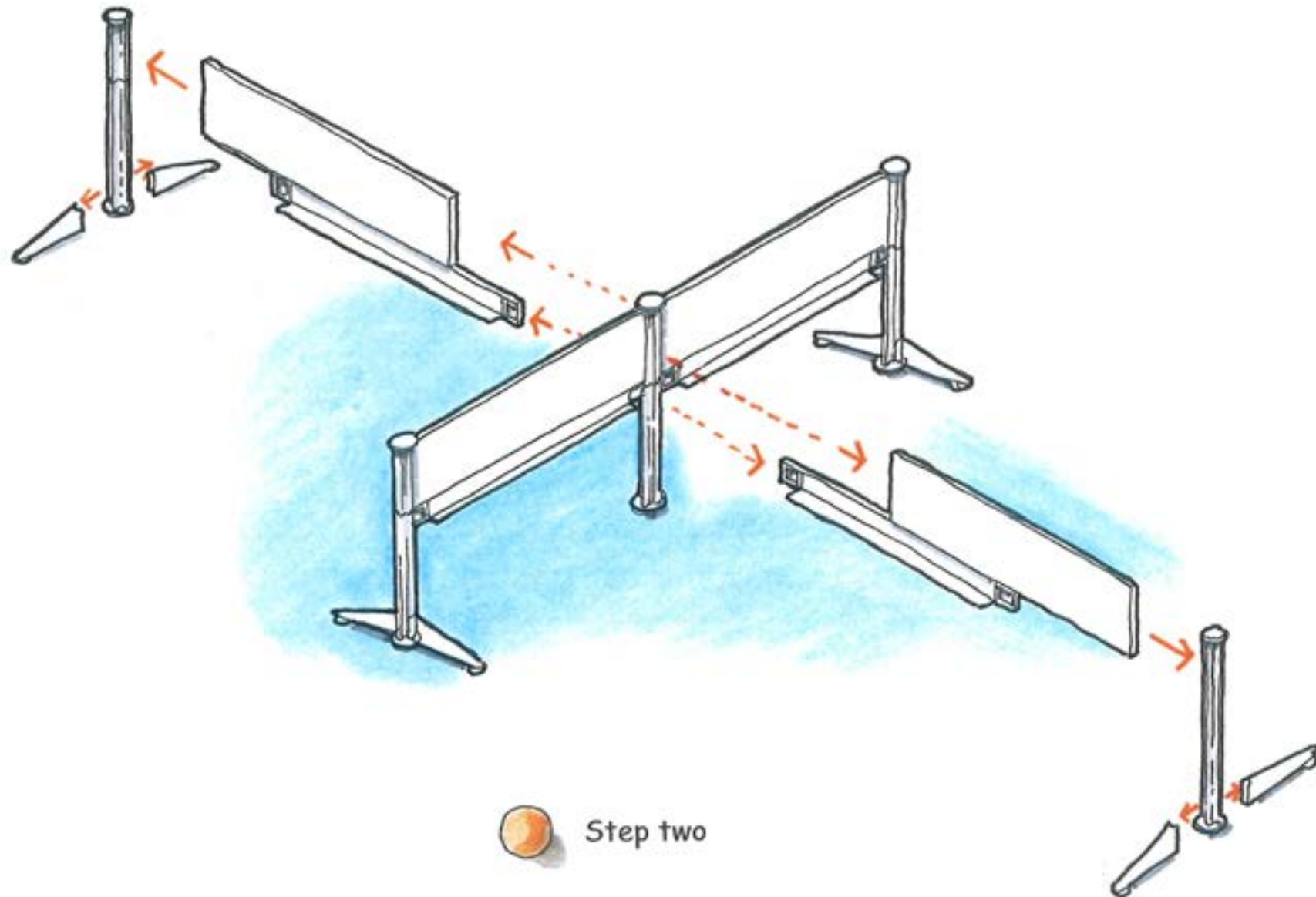


1600

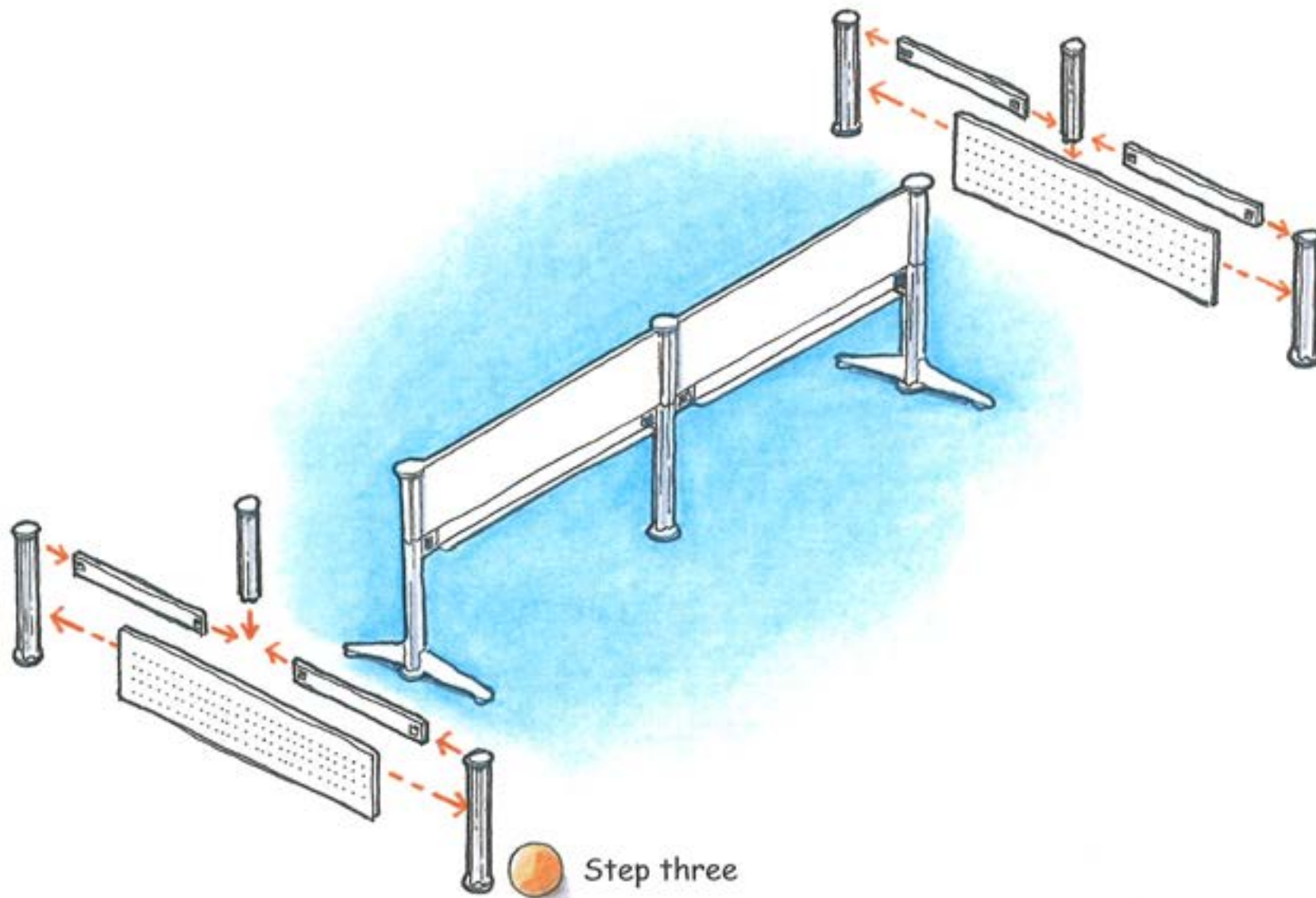


 Step one

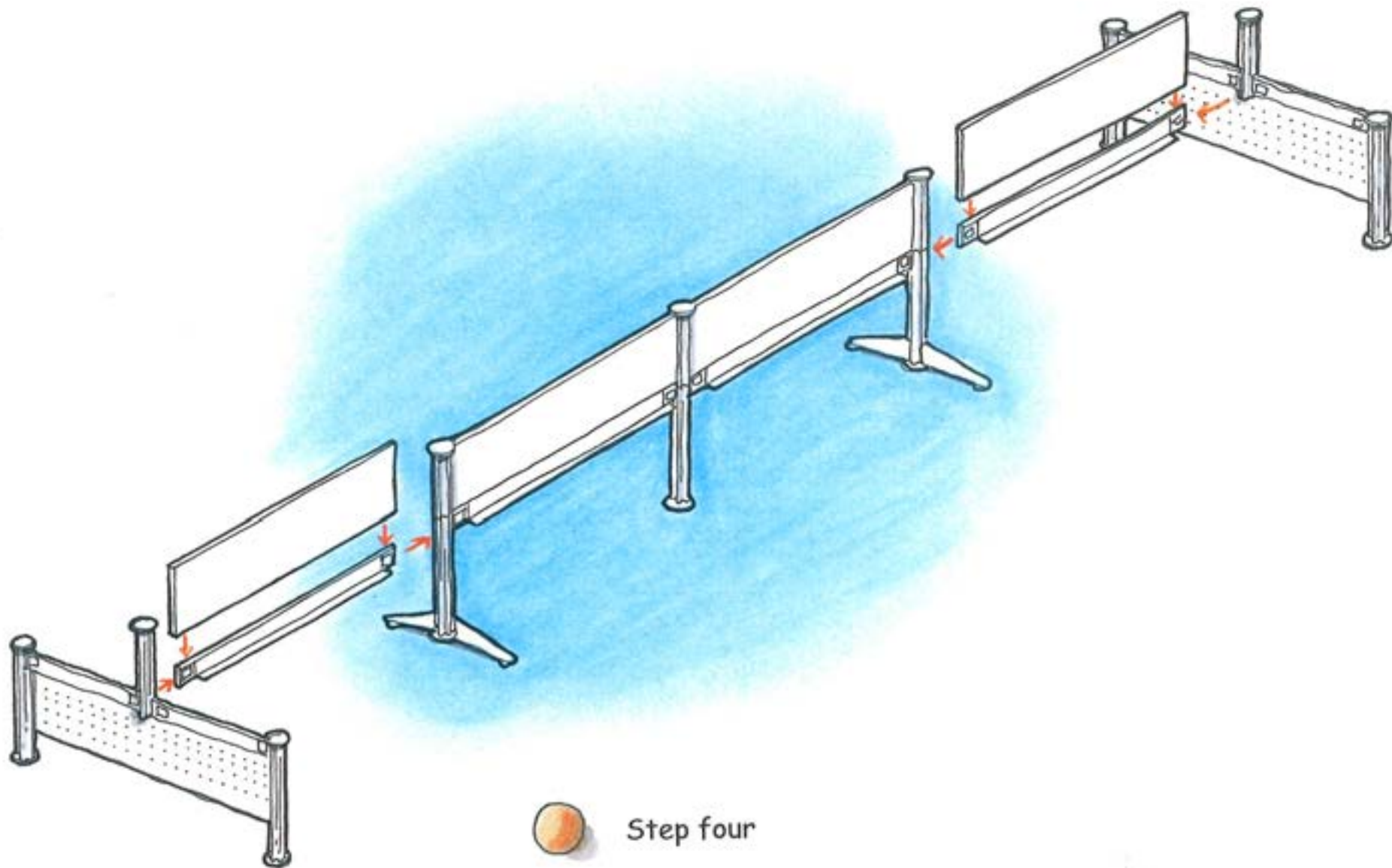
Having first removed all power; data and other cabling together with electrical outlets, dismantle all work surfaces and support arms.



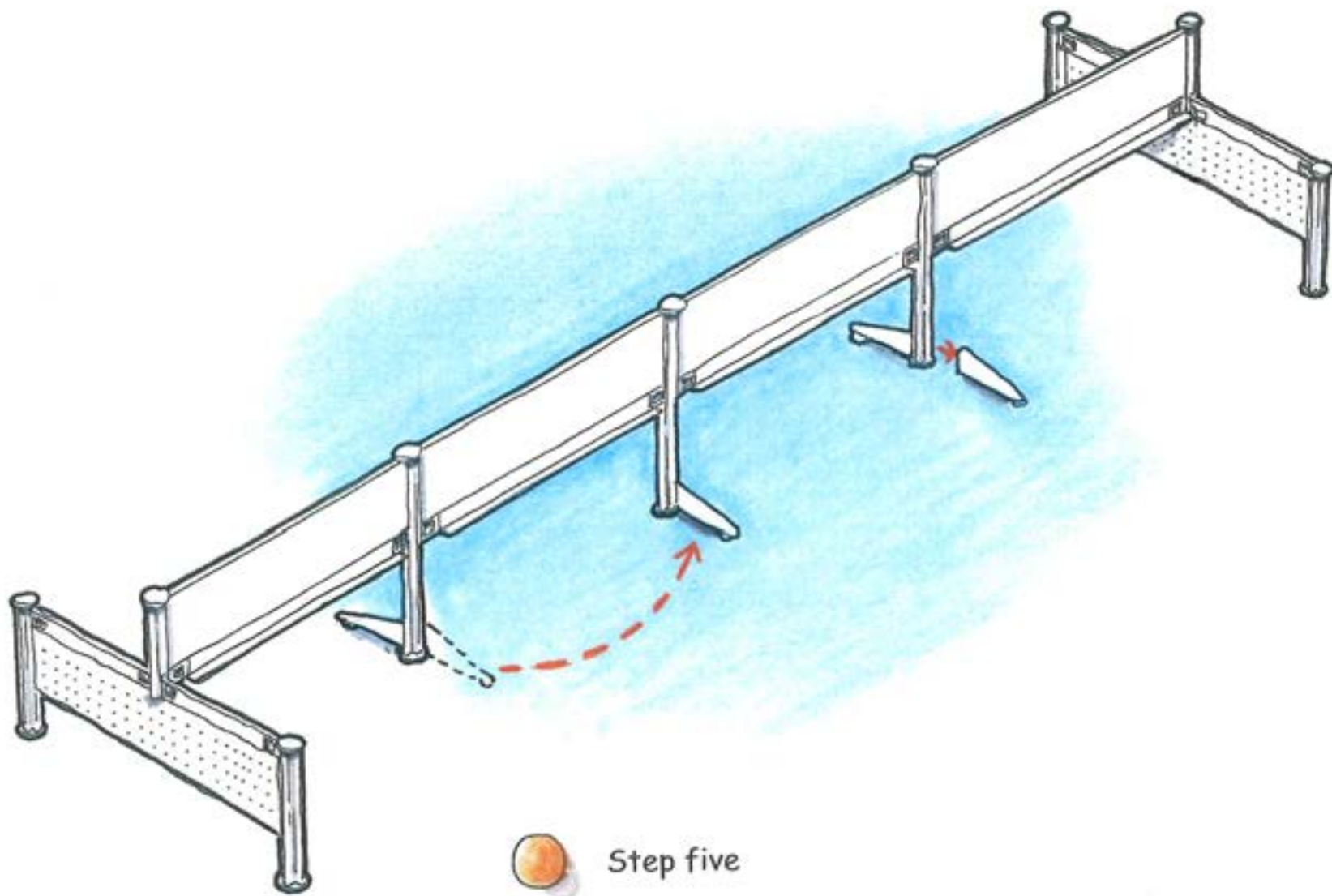
Dismantle: beams (with or without cable trays attached) ;
screen columns; support feet and screens which are perpendicular
to the intended "spine" run.



Reusing two columns, assemble two sets of **new** work surface
"end-side" supports.

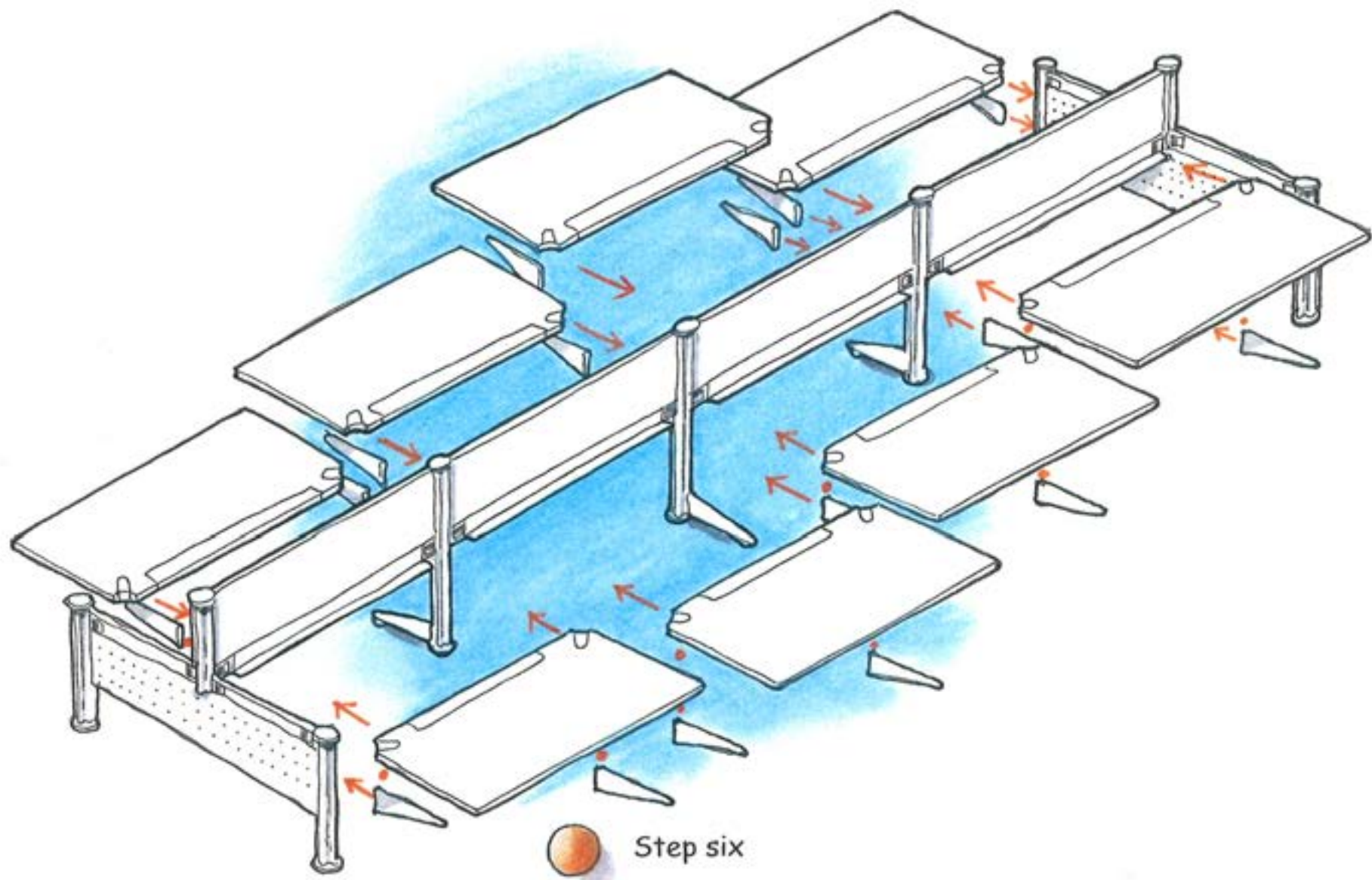


Reusing two sets of : beams; cable trays and screens, connect work surface "end-side" supports to the "spin" run.

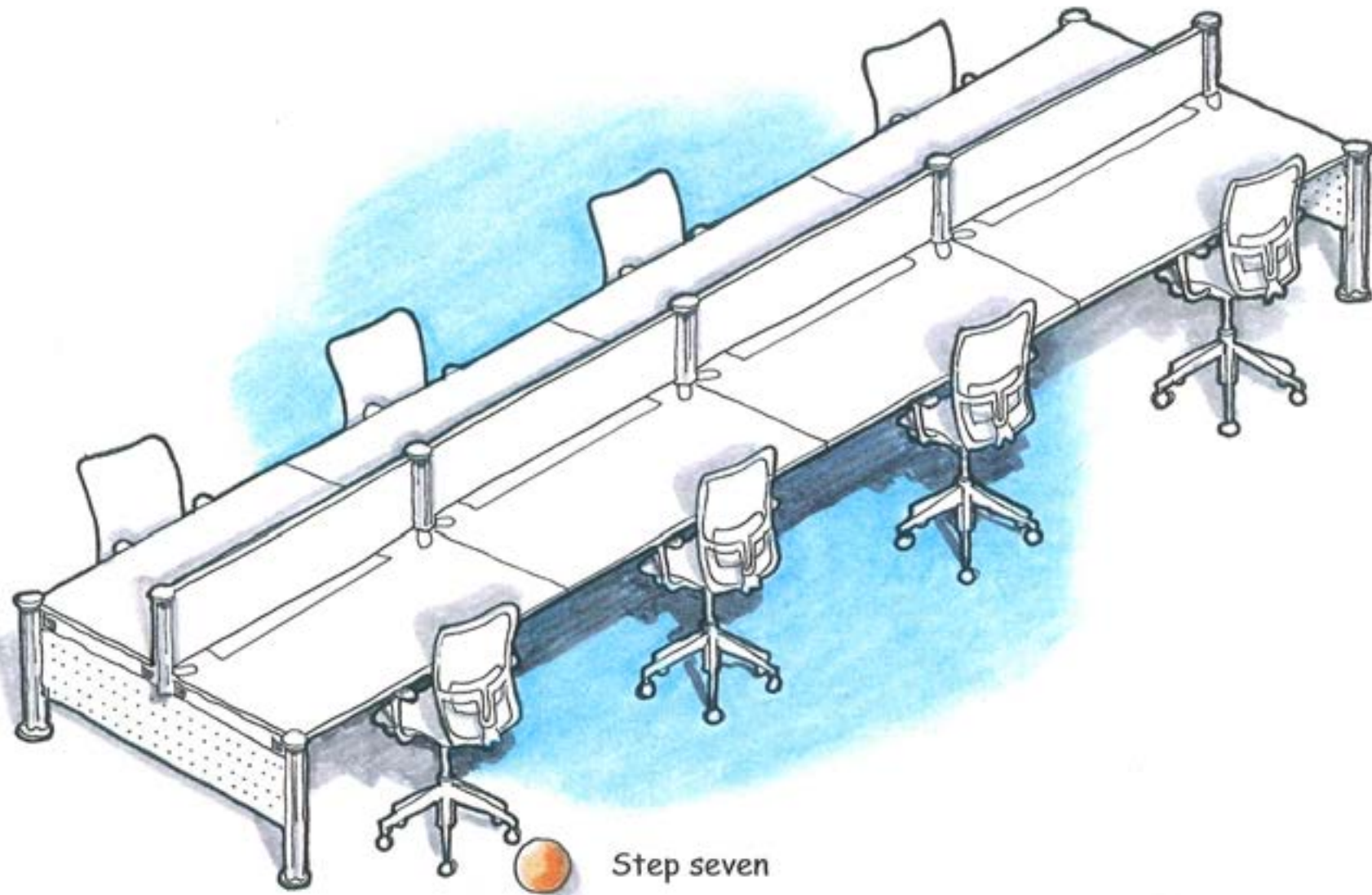


 Step five

Connect work surface "end - side" supports to "spine" run.
Reposition the reuse of support feet as shown.



Attach eight **new** work surfaces with four **new** and four **reused** pairs of work surface support arms.




Install **new and reused** : power and data cables and electric socket outlets as required in preparation for use.

74 % reused

16% to inventory stock

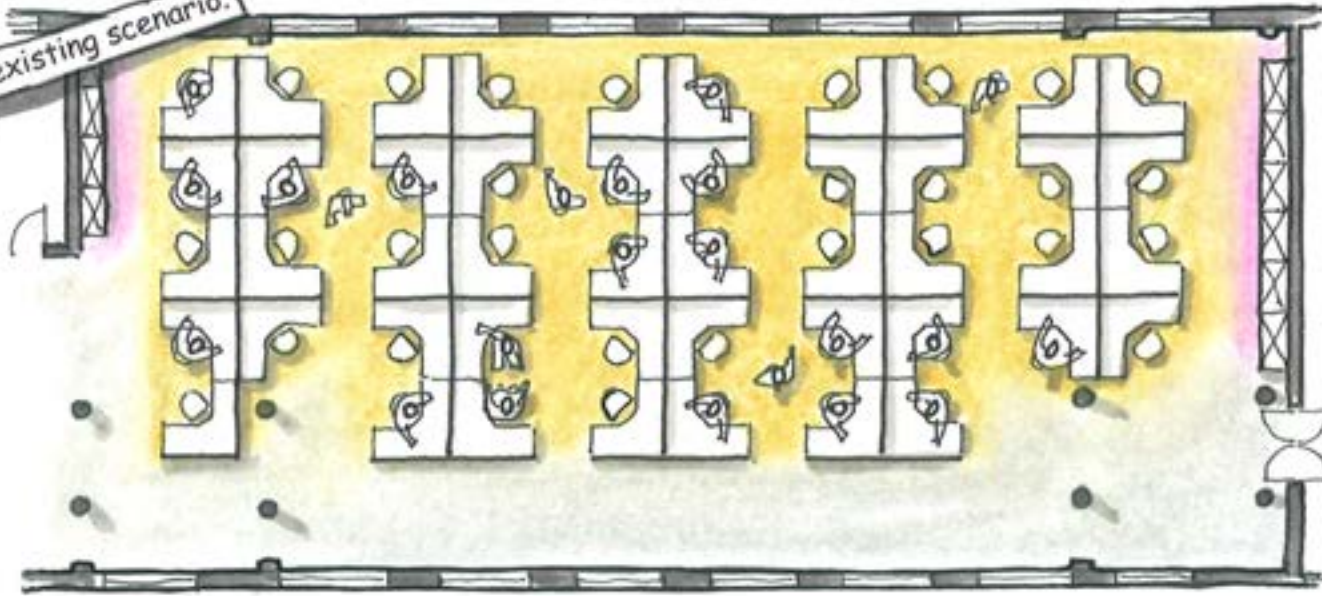
9.5% for re-cycle

 Observations relating to the reuse of furniture vocabulary.

Of the new work setting, 58% comprises of existing components And 42% comprises of new components

● Space utilization, comparison examples

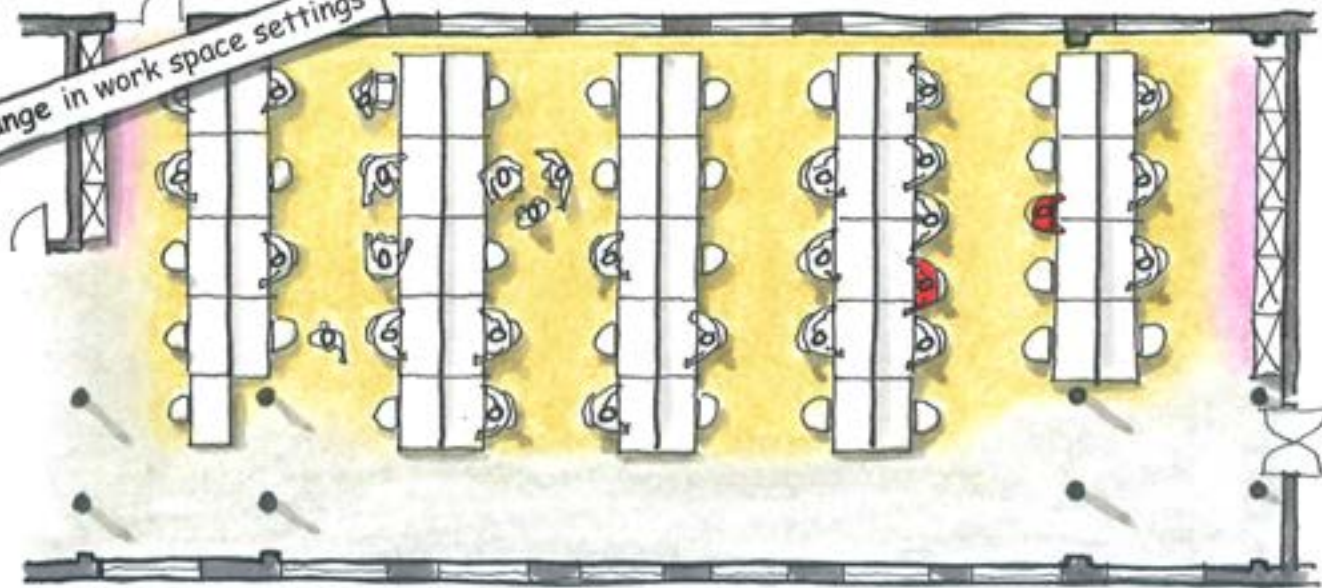
An existing scenario.



A
47
Work spaces



A change in work space settings

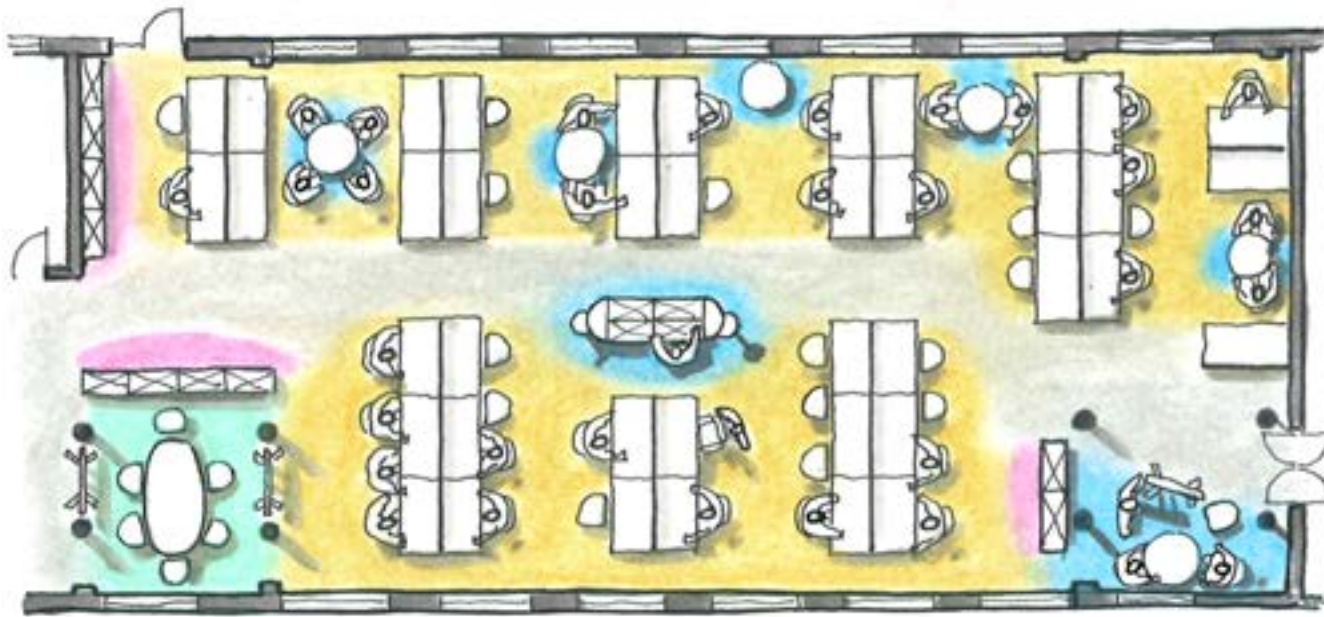


B
47 - 57
Work spaces

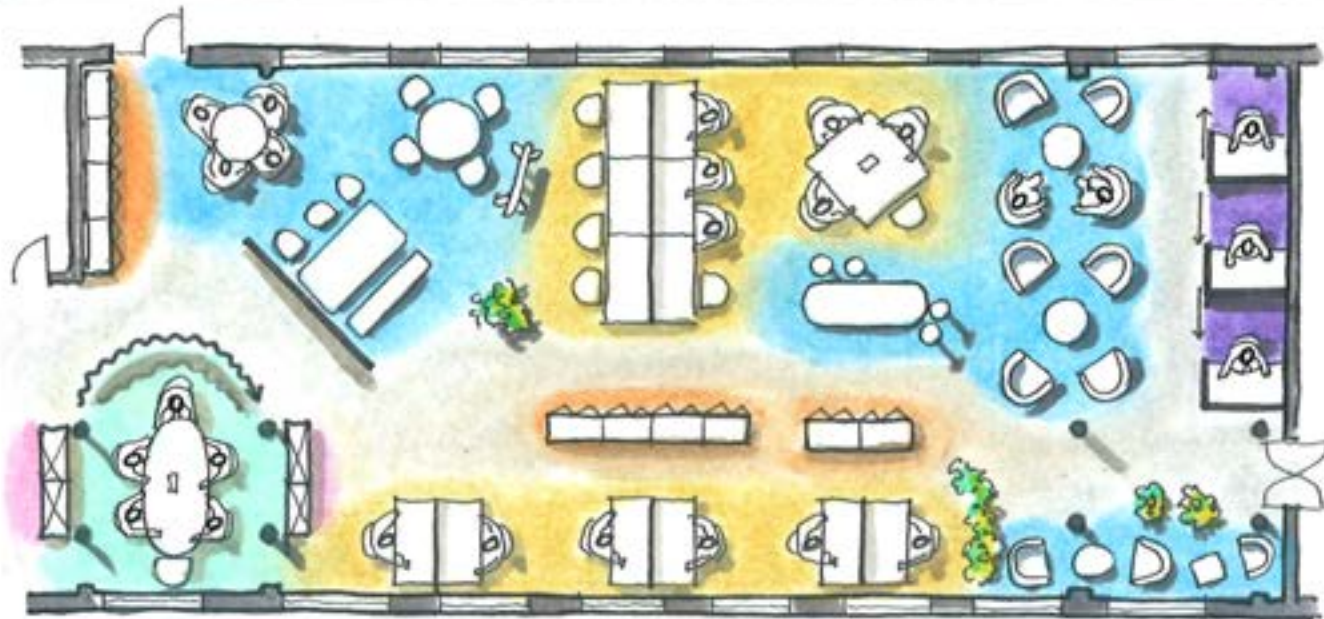
Whilst maintaining the existing "grid-line" space planning, an equal number of work spaces can be achieved, however, the "benching" style work setting will accommodate additional work spaces (bearing in mind that in such applications the useable work surface area for each person is reduced.)

● "Variable Density" planning : where work space provision is greater on one side of the "Bench".

● Space utilization, comparison examples



The work arena can be significantly **changed** to reflect and support a stronger emphasis in collaborative "ways of working". In this example, identical work space quantities are maintained, yet we have introduced some open collaborative settings as well.



Further **changes** introduced reflecting, perhaps, a work arena where many individuals are: **mobile workers**, infrequently in the office; requiring more varied collaborative settings; where the need for individual work space is lower than in previous examples.

